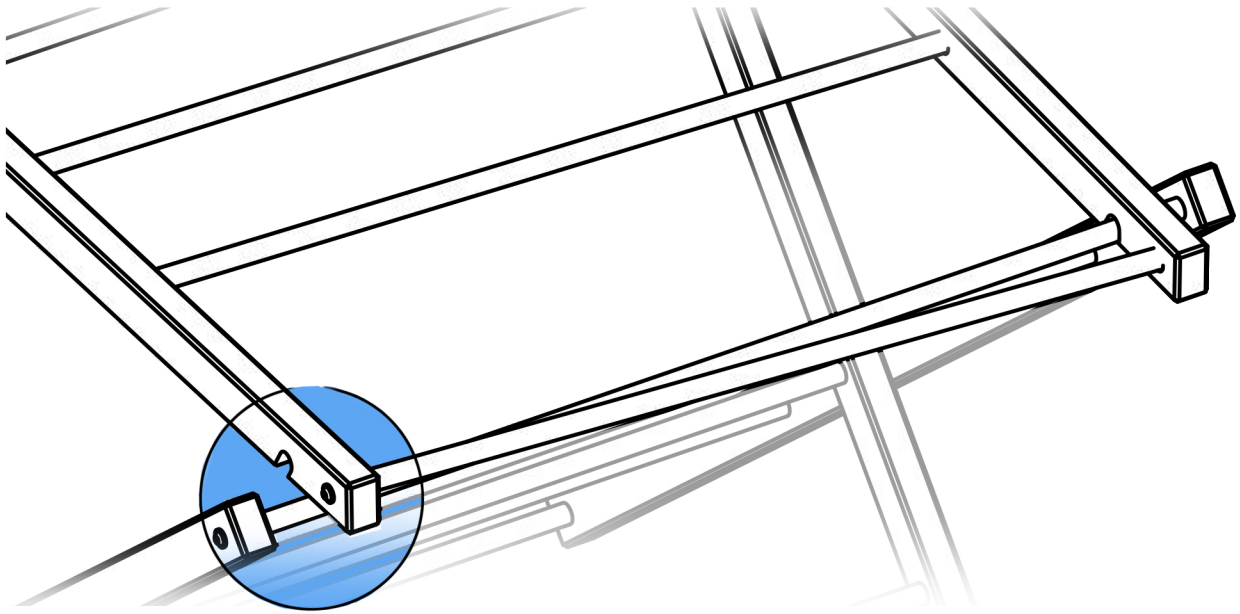
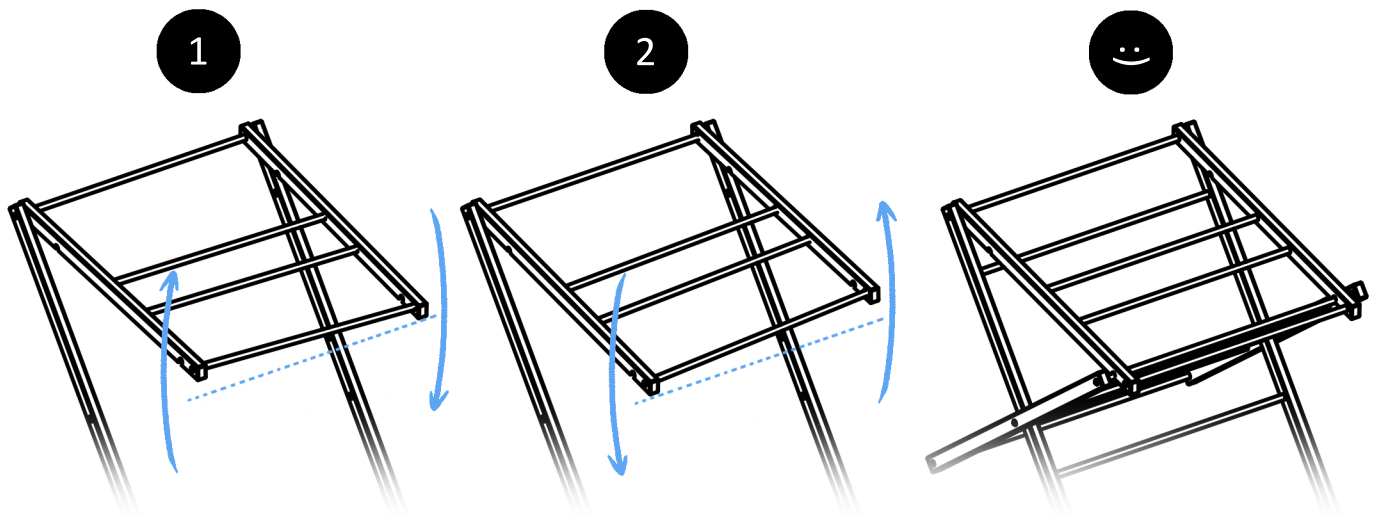


Troubleshooting

When you set up the dryer, and are about to engage the latches, you may notice that the latches don't engage equally (one of them hovering over the bar):



To rectify this, gently rack the latches (bending it in the direction opposite its current “twist”) until both bars look parallel and both latches engage fully:



Replacing Parts

We hope you will enjoy the use of this dryer for many years to come. In the event of any breakage, some parts might need to be replaced, and we invite you to extend this product's lifetime by ordering the spare part you need from us and replacing it at home. For any spare parts and support, please contact us at: info@ecodri.co.nz.

The team at Ecodri